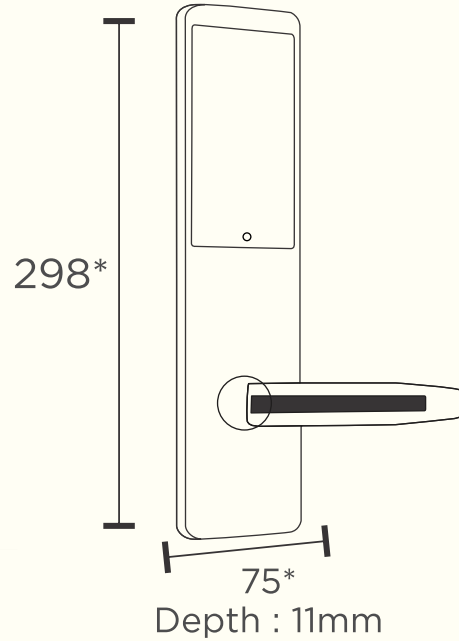
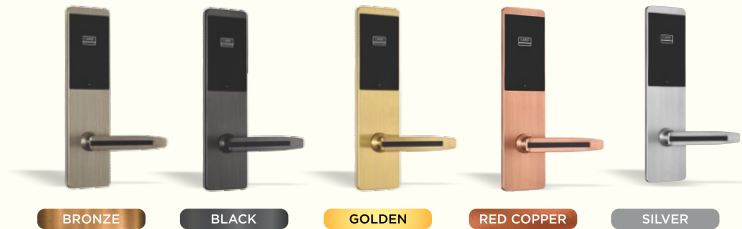


# BASALT

## BASALT DOOR LOCK BHL 701



### COLORS



BRONZE

BLACK

GOLDEN

RED COPPER

SILVER

### ATTRIBUTES

<b>Material</b>	: Zinc Alloy with surface treatment Plating
<b>Bolt Material</b>	: Stainless Steel
<b>Key Card</b>	: Mifare Card
<b>Unlocking Record</b>	: 225 Events/900 Events
<b>Application</b>	: 30-40 mm 40-50 mm Door Thickness For Hotels

### PARAMETERS

<b>Battery Type</b>	: 4 AA Alkaline Battery cell
<b>Battery Life</b>	: 50,000 opening Normally 1 year
<b>Operating Temperature</b>	: -20 to 60
<b>Operating Humidity</b>	: < 80% RH
<b>Low Battery Alarm At</b>	: 4.8V

