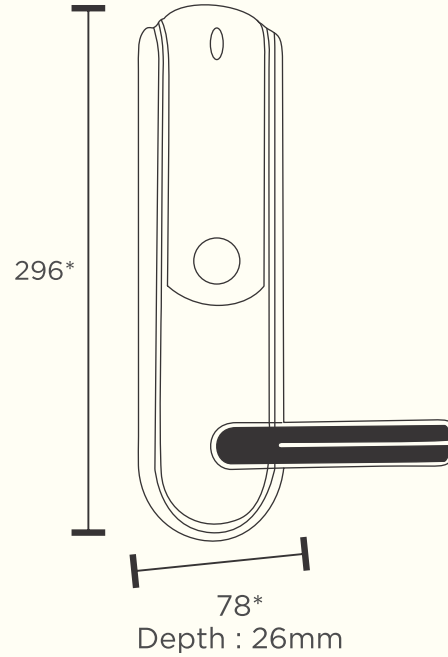


BASALT

BASALT DOOR LOCK BHL 703



COLORS



ATTRIBUTES

Material	: Zinc Alloy with surface treatment Plating
Bolt Material	: Stainless Steel
Key Card	: Mifare Card
Unlocking Record	: 225 Events/900 Events
Application	: 38-50 mm Door Thickness For Hotels

PARAMETERS

Battery Type	: 4 AA Alkaline Battery cell
Battery Life	: 50,000 opening Normally 1 year
Operating Temperature	: -20 to 60
Operating Humidity	: < 80% RH
Low Battery Alarm At	: 4.8V

