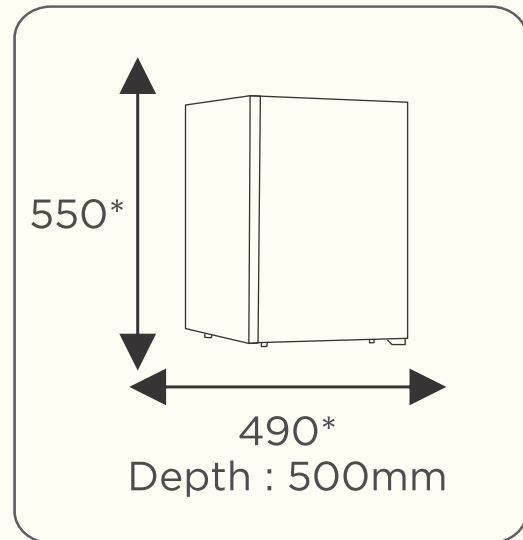


BASALT

BASALT MINIBAR THERMO ELECTRIC BMINI: 704



SPECIFICATION :-

- Compressor
- Mechanical Control
- Hermetically Sealed
- Freon-free
- Automatic Defrosting
- Environmental friendly
- Noise: Less than 30dB
- Fridge Size: 490*500*550mm
- Power: 456W
- Temperature Range: 6C-18C
- G.W.: 12.8KG, N.W.: 15KG
- Color: Black and White

