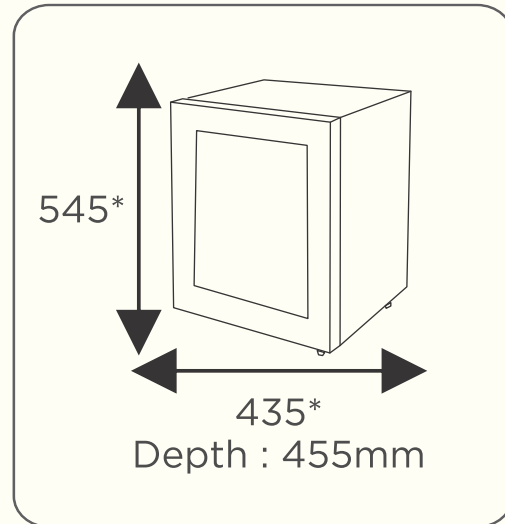


# BASALT

## BASALT MINIBAR THERMO ELECTRIC BMINI: 705

### Size



### SPECIFICATION :-

- **Cooling Technology:** Absorption cooling system
- **Auto Defrost:** Yes
- **Noise:** 0 dB
- **Size:** H545 x W435 x D455 mm
- **Packing Size:** H600 x W470 x D485 mm
- **Voltage:** 220-240V/50-60Hz
- **Watts Input:** 60W
- **Energy Consumption:** 0.85 kWh/24 hours
- **Average Temperature:** 10-15°C for glass door
- **G.W.:** 17KG, **N.W.:** 15KG
- **Door Hinge:** Both sides

BASALT MINIBAR THERMO

